



LC72131, 72131M

AM/FM PLL Frequency Synthesizer



Overview

The LC72131 and LC72131M are PLL frequency synthesizers for use in tuners in radio/cassette players. They allow high-performance AM/FM tuners to be implemented easily.

Applications

PLL frequency synthesizer

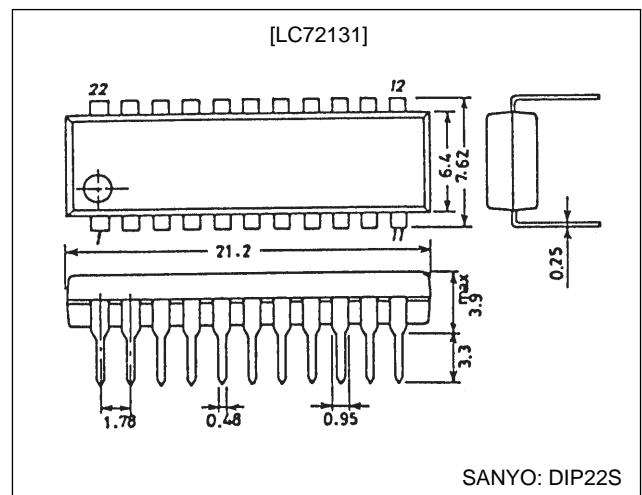
Functions

- High speed programmable dividers
 - FMIN: 10 to 160 MHzpulse swallower
(built-in divide-by-two prescaler)
 - AMIN: 2 to 40 MHzpulse swallower
0.5 to 10 MHzdirect division
- IF counter
 - IFIN: 0.4 to 12 MHzAM/FM IF counter
- Reference frequencies
 - Twelve selectable frequencies
(4.5 or 7.2 MHz crystal)
1, 3, 5, 9, 10, 3.125, 6.25, 12.5, 15, 25, 50 and 100 kHz
- Phase comparator
 - Dead zone control
 - Unlock detection circuit
 - Deadlock clear circuit
- Built-in MOS transistor for forming an active low-pass filter
- I/O ports
 - Dedicated output ports: 4
 - Input or output ports: 2
 - Support clock time base output
- Serial data I/O
 - Support CCB format communication with the system controller.
- Operating ranges
 - Supply voltage.....4.5 to 5.5 V
 - Operating temperature.....-40 to +85°C
- Packages
 - DIP22S/MFP20

Package Dimensions

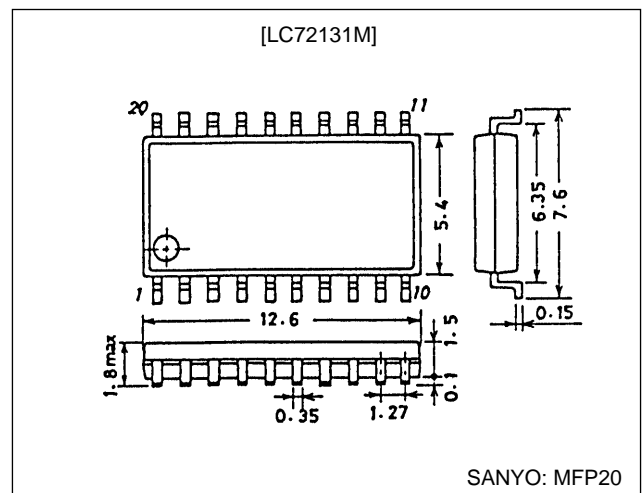
unit: mm

3059-DIP22S



unit: mm

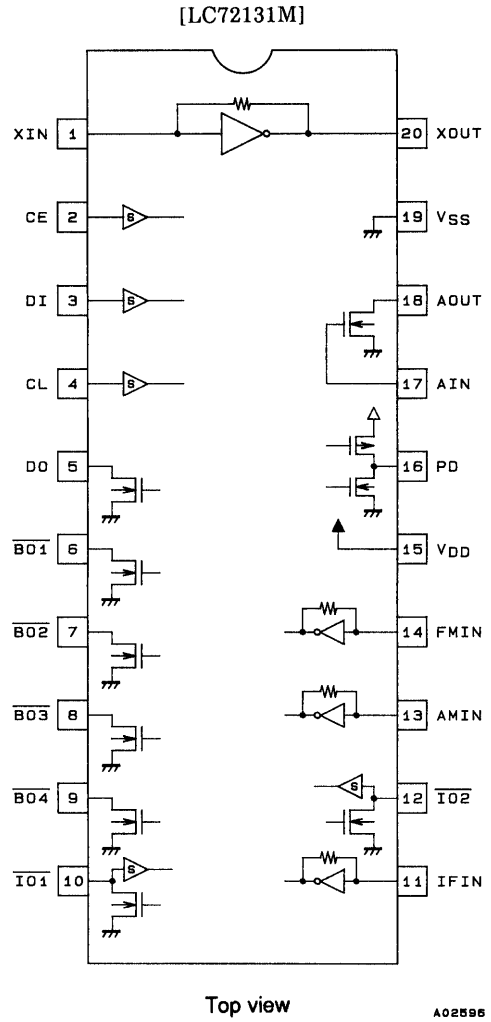
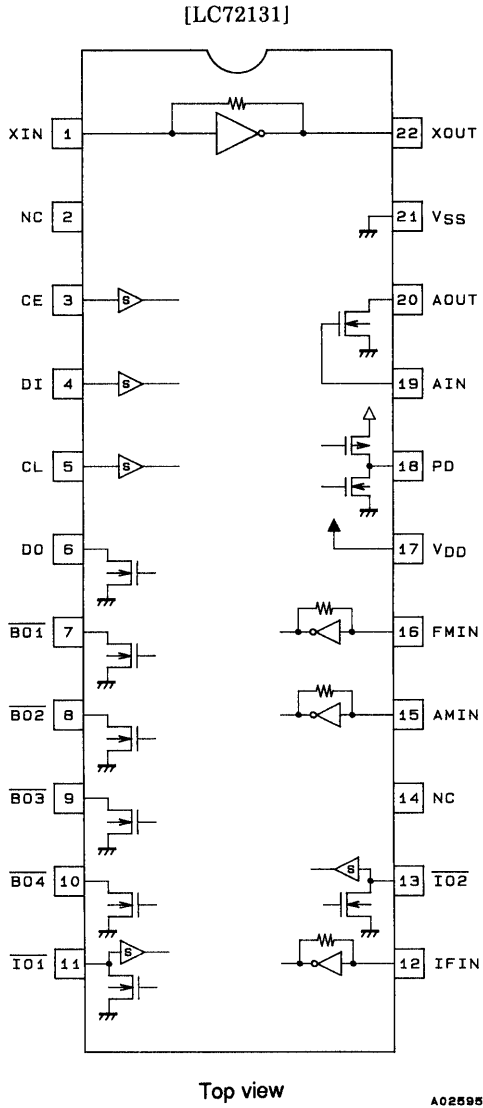
3036B-MFP20



- CCB is a trademark of SANYO ELECTRIC CO., LTD.
- CCB is SANYO's original bus format and all the bus addresses are controlled by SANYO.

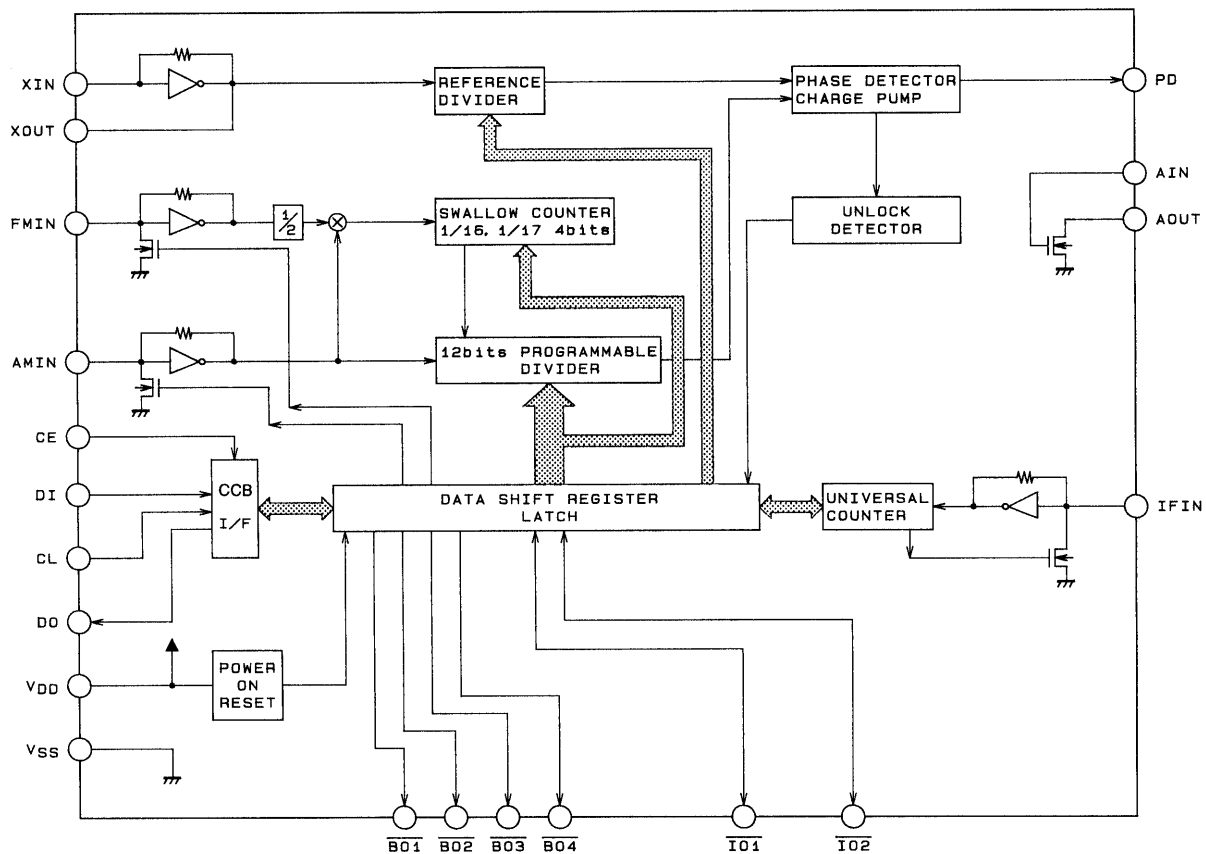
LC72131, 72131M

Pin Assignments



LC72131, 72131M

Block Diagram



A02597

LC72131, 72131M

Specifications

Absolute Maximum Ratings at $T_a = 25^\circ\text{C}$, $V_{SS} = 0\text{ V}$

Parameter	Symbol	Pins	Ratings	Unit	
Supply voltage	V_{DD} max	V_{DD}	-0.3 to +7.0	V	
Maximum input voltage	V_{IN1} max	CE, CL, DI, AIN	-0.3 to +7.0	V	
	V_{IN2} max	XIN, FMIN, AMIN, IFIN	-0.3 to $V_{DD} + 0.3$	V	
	V_{IN3} max	$\overline{IO1}$, $\overline{IO2}$	-0.3 to +15	V	
Maximum output voltage	V_{O1} max	DO	-0.3 to +7.0	V	
	V_{O2} max	XOUT, PD	-0.3 to $V_{DD} + 0.3$	V	
	V_{O3} max	$\overline{BO1}$ to $\overline{BO4}$, $\overline{IO1}$, $\overline{IO2}$, AOUT	-0.3 to +15	V	
Maximum output current	I_{O1} max	$\overline{BO1}$	0 to 3.0	mA	
	I_{O2} max	AOUT, DO	0 to 6.0	mA	
	I_{O3} max	$\overline{BO2}$ to $\overline{BO4}$, $\overline{IO1}$, $\overline{IO2}$	0 to 10.0	mA	
Allowable power dissipation	Pd max	$T_a \leq 85^\circ\text{C}$	LC72131: DIP22S LC72131M: MFP20	350 180	mW
		Operating temperature	T_{opr}	-40 to +85	$^\circ\text{C}$
Storage temperature	T_{stg}		-55 to +125	$^\circ\text{C}$	

Allowable Operating Ranges at $T_a = -40$ to $+85^\circ\text{C}$, $V_{SS} = 0\text{ V}$

Parameter	Symbol	Pins	Conditions	min	typ	max	Unit
Supply voltage	V_{DD}	V_{DD}		4.5		5.5	V
Input high-level voltage	V_{IH1}	CE, CL, DI		$0.7 V_{DD}$		6.5	V
	V_{IH2}	$\overline{IO1}$, $\overline{IO2}$		$0.7 V_{DD}$		13	V
Input low-level voltage	V_{IL}	CE, CL, DI, $\overline{IO1}$, $\overline{IO2}$		0		$0.3 V_{DD}$	V
Output voltage	V_{O1}	DO		0		6.5	V
	V_{O2}	$\overline{BO1}$ to $\overline{BO4}$, $\overline{IO1}$, $\overline{IO2}$, AOUT		0		13	V
Input frequency	f_{IN1}	XIN	V_{IN1}	1		8	MHz
	f_{IN2}	FMIN	V_{IN2}	10		160	MHz
	f_{IN3}	AMIN	V_{IN3} , SNS = 1	2		40	MHz
	f_{IN4}	AMIN	V_{IN4} , SNS = 0	0.5		10	MHz
	f_{IN5}	IFIN	V_{IN5}	0.4		12	MHz
Input amplitude	V_{IN1}	XIN	f_{IN1}	400		1500	mVrms
	V_{IN2-1}	FMIN	$f = 10$ to 130 MHz	40		1500	mVrms
	V_{IN2-2}	FMIN	$f = 130$ to 160 MHz	70		1500	mVrms
	V_{IN3}	AMIN	f_{IN3} , SNS = 1	40		1500	mVrms
	V_{IN4}	AMIN	f_{IN4} , SNS = 0	40		1500	mVrms
	V_{IN5-1}	IFIN	f_{IN5} , IFS = 1	40		1500	mVrms
Supported crystals	Xtal	XIN, XOUT	*	4.0		8.0	MHz

Note: * Recommended crystal oscillator CI values:

CI $\leq 120\Omega$ (For a 4.5 MHz crystal)

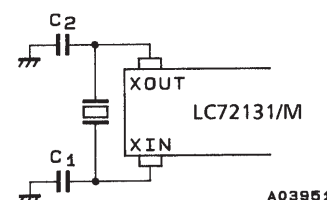
CI $\leq 70\Omega$ (For a 7.2 MHz crystal)

<Sample Oscillator Circuit>

Crystal oscillator: HC-49/U (manufactured by Kinseki, Ltd.), CL = 12 pF

C1 = C2 = 15 pF

The circuit constants for the crystal oscillator circuit depend on the crystal used, the printed circuit board pattern, and other items. Therefore we recommend consulting with the manufacturer of the crystal for evaluation and reliability.



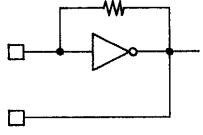
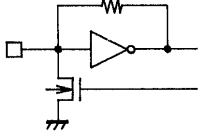
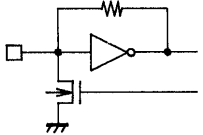
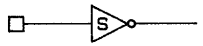
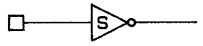
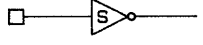
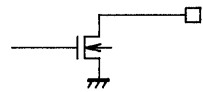
LC72131, 72131M

Electrical Characteristics for the Allowable Operating Ranges at Ta = -40 to +85°C, VSS = 0 V

Parameter	Symbol	Pins	Conditions	min	typ	max	Unit
Built-in feedback resistance	Rf1	XIN			1.0		MΩ
	Rf2	FMIN			500		kΩ
	Rf3	AMIN			500		kΩ
	Rf4	IFIN			250		kΩ
Built-in pull-down resistor	Rpd1	FMIN			200		kΩ
	Rpd2	AMIN			200		kΩ
Hysteresis	VHIS	CE, CL, DI, IO1, IO2			0.1 VDD		V
Output high level voltage	VOH1	PD	IO = -1 mA	VDD - 1.0			V
Output low level voltage	VOL1	PD	IO = 1 mA			1.0	V
	VOL2	BO1	IO = 0.5 mA			0.5	V
			IO = 1 mA			1.0	V
	VOL3	DO	IO = 1 mA			0.2	V
			IO = 5 mA			1.0	V
	VOL4	BO2 to BO4, IO1, IO2	IO = 1 mA			0.2	V
IO = 5 mA					1.0	V	
		IO = 8 mA			1.6	V	
VOL5	AOUT	IO = 1 mA, AIN = 1.3 V			0.5	V	
Input high level current	IHH1	CE, CL, DI	VI = 6.5 V			5.0	V
	IHH2	IO1, IO2	VI = 13 V			5.0	μA
	IHH3	XIN	VI = VDD	2.0		11	μA
	IHH4	FMIN, AMIN	VI = VDD	4.0		22	μA
	IHH5	IFIN	VI = VDD	8.0		44	μA
	IHH6	AIN	VI = 6.5 V			200	nA
Input low level current	ILL1	CE, CL, DI	VI = 0 V			5.0	μA
	ILL2	IO1, IO2	VI = 0 V			5.0	μA
	ILL3	XIN	VI = 0 V	2.0		11	μA
	ILL4	FMIN, AMIN	VI = 0 V	4.0		22	μA
	ILL5	IFIN	VI = 0 V	8.0		44	μA
	ILL6	AIN	VI = 0 V			200	nA
Output off leakage current	IOFF1	BO1 to BO4, AOUT, IO1, IO2	VO = 13 V			5.0	μA
	IOFF2	DO	VO = 6.5 V			5.0	μA
High level three-state off leakage current	IOFFH	PD	VO = VDD		0.01	200	nA
Low level three-state off leakage current	IOFFL	PD	VO = 0 V		0.01	200	nA
Input capacitance	CIN	FMIN			6		pF
Current drain	IDD1	VDD	Xtal = 7.2 MHz, fIN2 = 130 MHz, VIN2 = 40 mVrms		5	10	mA
	IDD2	VDD	PLL block stopped (PLL INHIBIT), Xtal oscillator operating (Xtal = 7.2 MHz)		0.5		mA
	IDD3	VDD	PLL block stopped Xtal oscillator stopped			10	μA

LC72131, 72131M

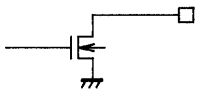
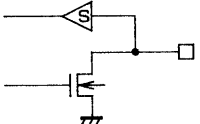
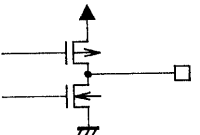
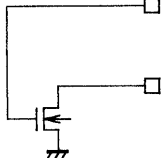
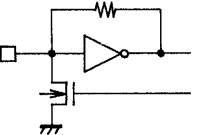
Pin Functions

Symbol	Pin No. (MFP pin Nos. are in parentheses.)	Type	Functions	Circuit configuration
XIN XOUT	1 (1) 22 (20)	Xtal OSC	<ul style="list-style-type: none"> Crystal resonator connection (4.5/7.2 MHz) 	 <p style="text-align: right;">A02598</p>
FMIN	16 (14)	Local oscillator signal input	<ul style="list-style-type: none"> FMIN is selected when the serial data input DVS bit is set to 1. The input frequency range is from 10 to 160 MHz. The input signal passes through the internal divide-by-two prescaler and is input to the swallow counter. The divisor can be in the range 272 to 65535. However, since the signal has passed through the divide-by-two prescaler, the actual divisor is twice the set value. 	 <p style="text-align: right;">A02599</p>
AMIN	15 (13)	Local oscillator signal input	<ul style="list-style-type: none"> AMIN is selected when the serial data input DVS bit is set to 0. When the serial data input SNS bit is set to 1: <ul style="list-style-type: none"> The input frequency range is 2 to 40 MHz. The signal is directly input to the swallow counter. The divisor can be in the range 272 to 65535, and the divisor used will be the value set. When the serial data input SNS bit is set to 0: <ul style="list-style-type: none"> The input frequency range is 0.5 to 10 MHz. The signal is directly input to a 12-bit programmable divider. The divisor can be in the range 4 to 4095, and the divisor used will be the value set. 	 <p style="text-align: right;">A02599</p>
CE	3 (2)	Chip enable	Set this pin high when inputting (DI) or outputting (DO) serial data.	 <p style="text-align: right;">A02600</p>
CL	5 (4)	Clock	<ul style="list-style-type: none"> Used as the synchronization clock when inputting (DI) or outputting (DO) serial data. 	 <p style="text-align: right;">A02600</p>
DI	4 (3)	Data input	<ul style="list-style-type: none"> Inputs serial data transferred from the controller to the LC72131. 	 <p style="text-align: right;">A02600</p>
DO	6 (5)	Data output	<ul style="list-style-type: none"> Outputs serial data transferred from the LC72131 to the controller. The content of the output data is determined by the serial data DOC0 to DOC2. 	 <p style="text-align: right;">A02601</p>
V _{DD}	17 (15)	Power supply	<ul style="list-style-type: none"> The LC72131 power supply pin (V_{DD} = 4.5 to 5.5 V) The power on reset circuit operates when power is first applied. 	

Continued on next page.

LC72131, 72131M

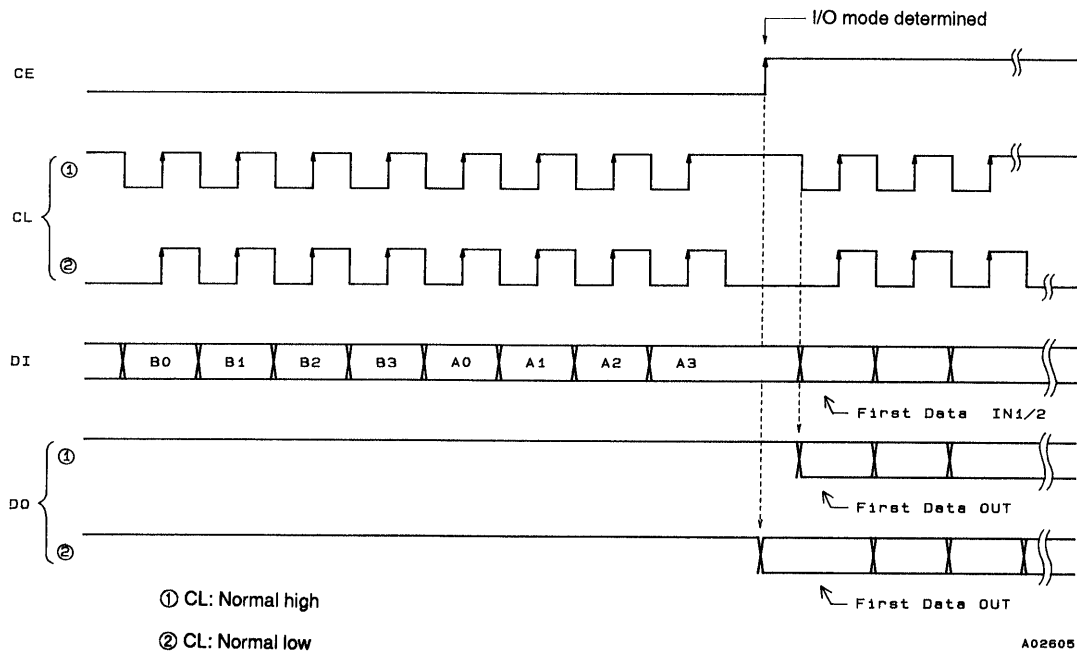
Continued from preceding page.

Symbol	Pin No. (MFP pin Nos. are in parentheses.)	Type	Functions	Circuit configuration
V_{SS}	21 (19)	Ground	<ul style="list-style-type: none"> The LC72131 ground 	—
$\overline{BO1}$ $\overline{BO2}$ $\overline{BO3}$ $\overline{BO4}$	7 (6) 8 (7) 9 (8) 10 (9)	Output port	<ul style="list-style-type: none"> Dedicated output pins The output states are determined by $\overline{BO1}$ to $\overline{BO4}$ bits in the serial data. Data: 0 = open, 1 = low A time base signal (8 Hz) can be output from the $\overline{BO1}$ pin. (When the serial data TBC bit is set to 1.) Care is required when using the $\overline{BO1}$ pin, since it has a higher on impedance than the other output ports (pins $\overline{BO2}$ to $\overline{BO4}$). All output ports are set to the open state following a power on reset. 	 <p style="text-align: right;">A02601</p>
$\overline{IO1}$ $\overline{IO2}$	11 (10) 13 (12)	I/O port	<ul style="list-style-type: none"> I/O dual-use pins The direction (input or output) is determined by bits IOC1 and IOC2 in the serial data. Data: 0 = input port, 1 = output port When specified for use as input ports: The state of the input pin is transmitted to the controller over the DO pin. Input state: low = 0 data value high = 1 data value When specified for use as output ports: The output states are determined by the IO1 and IO2 bits in the serial data. Data: 0 = open, 1 = low These pins function as input pins following a power on reset. 	 <p style="text-align: right;">A02602</p>
PD	18 (16)	Charge pump output	<ul style="list-style-type: none"> PLL charge pump output When the frequency generated by dividing the local oscillator frequency by N is higher than the reference frequency, a high level is output from the PD pin. Similarly, when that frequency is lower, a low level is output. The PD pin goes to the high impedance state when the frequencies match. 	 <p style="text-align: right;">A02603</p>
AIN AOUT	19 (17) 20 (18)	LPF amplifier transistor	<ul style="list-style-type: none"> The n-channel MOS transistor used for the PLL active low-pass filter. 	 <p style="text-align: right;">A02604</p>
IFIN	12 (11)	IF counter	<ul style="list-style-type: none"> Accepts an input in the frequency range 0.4 to 12 MHz. The input signal is directly transmitted to the IF counter. The result is output starting the MSB of the IF counter using the DO pin. Four measurement periods are supported: 4, 8, 32, and 64 ms. 	 <p style="text-align: right;">A02599</p>

Serial Data I/O Methods

The LC72131 inputs and outputs data using the Sanyo CCB (computer control bus) audio LSI serial bus format. This LSI adopts an 8-bit address format CCB.

	I/O mode	Address								Function
		B0	B1	B2	B3	A0	A1	A2	A3	
1	IN1 (82)	0	0	0	1	0	1	0	0	<ul style="list-style-type: none"> Control data input mode (serial data input) 24 data bits are input. See the "DI Control Data (serial data input) Structure" item for details on the meaning of the input data.
2	IN2 (92)	1	0	0	1	0	1	0	0	<ul style="list-style-type: none"> Control data input mode (serial data input) 24 data bits are input. See the "DI Control Data (serial data input) Structure" item for details on the meaning of the input data.
3	OUT (A2)	0	1	0	1	0	1	0	0	<p>Data output mode (serial data output)</p> <ul style="list-style-type: none"> The number of bits output is equal to the number of clock cycles. See the "DO Output Data (serial data output) Structure" item for details on the meaning of the output data.



LC72131, 72131M

2. DI Control Data Functions

No.	Control block/data	Functions	Related data																																																																																					
(1)	Programmable divider data P0 to P15 DVS, SNS	<ul style="list-style-type: none"> Data that sets the divisor of the programmable divider. A binary value in which P15 is the MSB. The LSB changes depending on DVS and SNS. (*: don't care) <table border="1"> <thead> <tr> <th>DVS</th> <th>SNS</th> <th>LSB</th> <th>Divisor setting (N)</th> <th>Actual divisor</th> </tr> </thead> <tbody> <tr> <td>1</td> <td>*</td> <td>P0</td> <td>272 to 65535</td> <td>Twice the value of the setting</td> </tr> <tr> <td>0</td> <td>1</td> <td>P0</td> <td>272 to 65535</td> <td>The value of the setting</td> </tr> <tr> <td>0</td> <td>0</td> <td>P4</td> <td>4 to 4095</td> <td>The value of the setting</td> </tr> </tbody> </table> <p>Note: P0 to P3 are ignored when P4 is the LSB.</p> <ul style="list-style-type: none"> Selects the signal input pin (AMIN or FMIN) for the programmable divider, switches the input frequency range. (*: don't care) <table border="1"> <thead> <tr> <th>DVS</th> <th>SNS</th> <th>Input pin</th> <th>Input frequency range</th> </tr> </thead> <tbody> <tr> <td>1</td> <td>*</td> <td>FMIN</td> <td>10 to 160 MHz</td> </tr> <tr> <td>0</td> <td>1</td> <td>AMIN</td> <td>2 to 40 MHz</td> </tr> <tr> <td>0</td> <td>0</td> <td>AMIN</td> <td>0.5 to 10 MHz</td> </tr> </tbody> </table> <p>Note: See the "Programmable Divider Structure" item for more information.</p>	DVS	SNS	LSB	Divisor setting (N)	Actual divisor	1	*	P0	272 to 65535	Twice the value of the setting	0	1	P0	272 to 65535	The value of the setting	0	0	P4	4 to 4095	The value of the setting	DVS	SNS	Input pin	Input frequency range	1	*	FMIN	10 to 160 MHz	0	1	AMIN	2 to 40 MHz	0	0	AMIN	0.5 to 10 MHz																																																		
DVS	SNS	LSB	Divisor setting (N)	Actual divisor																																																																																				
1	*	P0	272 to 65535	Twice the value of the setting																																																																																				
0	1	P0	272 to 65535	The value of the setting																																																																																				
0	0	P4	4 to 4095	The value of the setting																																																																																				
DVS	SNS	Input pin	Input frequency range																																																																																					
1	*	FMIN	10 to 160 MHz																																																																																					
0	1	AMIN	2 to 40 MHz																																																																																					
0	0	AMIN	0.5 to 10 MHz																																																																																					
(2)	Reference divider data R0 to R3 XS	<ul style="list-style-type: none"> Reference frequency (fref) selection data. <table border="1"> <thead> <tr> <th>R3</th> <th>R2</th> <th>R1</th> <th>R0</th> <th>Reference frequency (kHz)</th> </tr> </thead> <tbody> <tr><td>0</td><td>0</td><td>0</td><td>0</td><td>100</td></tr> <tr><td>0</td><td>0</td><td>0</td><td>1</td><td>50</td></tr> <tr><td>0</td><td>0</td><td>1</td><td>0</td><td>25</td></tr> <tr><td>0</td><td>0</td><td>1</td><td>1</td><td>25</td></tr> <tr><td>0</td><td>1</td><td>0</td><td>0</td><td>12.5</td></tr> <tr><td>0</td><td>1</td><td>0</td><td>1</td><td>6.25</td></tr> <tr><td>0</td><td>1</td><td>1</td><td>0</td><td>3.125</td></tr> <tr><td>0</td><td>1</td><td>1</td><td>1</td><td>3.125</td></tr> <tr><td>1</td><td>0</td><td>0</td><td>0</td><td>10</td></tr> <tr><td>1</td><td>0</td><td>0</td><td>1</td><td>9</td></tr> <tr><td>1</td><td>0</td><td>1</td><td>0</td><td>5</td></tr> <tr><td>1</td><td>0</td><td>1</td><td>1</td><td>1</td></tr> <tr><td>1</td><td>1</td><td>0</td><td>0</td><td>3</td></tr> <tr><td>1</td><td>1</td><td>0</td><td>1</td><td>15</td></tr> <tr><td>1</td><td>1</td><td>1</td><td>0</td><td>PLL INHIBIT + Xtal OSC STOP</td></tr> <tr><td>1</td><td>1</td><td>1</td><td>1</td><td>PLL INHIBIT</td></tr> </tbody> </table> <p>Note: PLL INHIBIT The programmable divider block and the IF counter block are stopped, the FMIN, AMIN, and IFIN pins are set to the pull-down state (ground), and the charge pump goes to the high impedance state.</p> <ul style="list-style-type: none"> Crystal resonator selection XS = 0: 4.5 MHz XS = 1: 7.2 MHz The 7.2 MHz frequency is selected after the power-on reset. 	R3	R2	R1	R0	Reference frequency (kHz)	0	0	0	0	100	0	0	0	1	50	0	0	1	0	25	0	0	1	1	25	0	1	0	0	12.5	0	1	0	1	6.25	0	1	1	0	3.125	0	1	1	1	3.125	1	0	0	0	10	1	0	0	1	9	1	0	1	0	5	1	0	1	1	1	1	1	0	0	3	1	1	0	1	15	1	1	1	0	PLL INHIBIT + Xtal OSC STOP	1	1	1	1	PLL INHIBIT	
R3	R2	R1	R0	Reference frequency (kHz)																																																																																				
0	0	0	0	100																																																																																				
0	0	0	1	50																																																																																				
0	0	1	0	25																																																																																				
0	0	1	1	25																																																																																				
0	1	0	0	12.5																																																																																				
0	1	0	1	6.25																																																																																				
0	1	1	0	3.125																																																																																				
0	1	1	1	3.125																																																																																				
1	0	0	0	10																																																																																				
1	0	0	1	9																																																																																				
1	0	1	0	5																																																																																				
1	0	1	1	1																																																																																				
1	1	0	0	3																																																																																				
1	1	0	1	15																																																																																				
1	1	1	0	PLL INHIBIT + Xtal OSC STOP																																																																																				
1	1	1	1	PLL INHIBIT																																																																																				
(3)	IF counter control data CTE GT0, GT1	<ul style="list-style-type: none"> IF counter measurement start data CTE = 1: Counter start CTE = 0: Counter reset Determines the IF counter measurement period. <table border="1"> <thead> <tr> <th>GT1</th> <th>GT0</th> <th>Measurement time (ms)</th> <th>Wait time (ms)</th> </tr> </thead> <tbody> <tr> <td>0</td> <td>0</td> <td>4</td> <td>3 to 4</td> </tr> <tr> <td>0</td> <td>1</td> <td>8</td> <td>3 to 4</td> </tr> <tr> <td>1</td> <td>0</td> <td>32</td> <td>7 to 8</td> </tr> <tr> <td>1</td> <td>1</td> <td>64</td> <td>7 to 8</td> </tr> </tbody> </table> <p>Note: See the "IF Counter Structure" item for more information.</p>	GT1	GT0	Measurement time (ms)	Wait time (ms)	0	0	4	3 to 4	0	1	8	3 to 4	1	0	32	7 to 8	1	1	64	7 to 8	IFS																																																																	
GT1	GT0	Measurement time (ms)	Wait time (ms)																																																																																					
0	0	4	3 to 4																																																																																					
0	1	8	3 to 4																																																																																					
1	0	32	7 to 8																																																																																					
1	1	64	7 to 8																																																																																					
(4)	I/O port specification data IOC1, IOC2	<ul style="list-style-type: none"> Specifies the I/O direction for the bidirectional pins $\overline{IO1}$ and $\overline{IO2}$. Data: 0 = input mode, 1 = output mode 																																																																																						
(5)	Output port data BO1 to BO4, IO1, IO2	<ul style="list-style-type: none"> Data that determines the output from the $\overline{BO1}$ to $\overline{BO4}$, $\overline{IO1}$ and $\overline{IO2}$ output ports Data: 0 = open, 1 = low The data = 0 (open) state is selected after the power-on reset. 	IOC1 IOC2																																																																																					

Continued on next page.

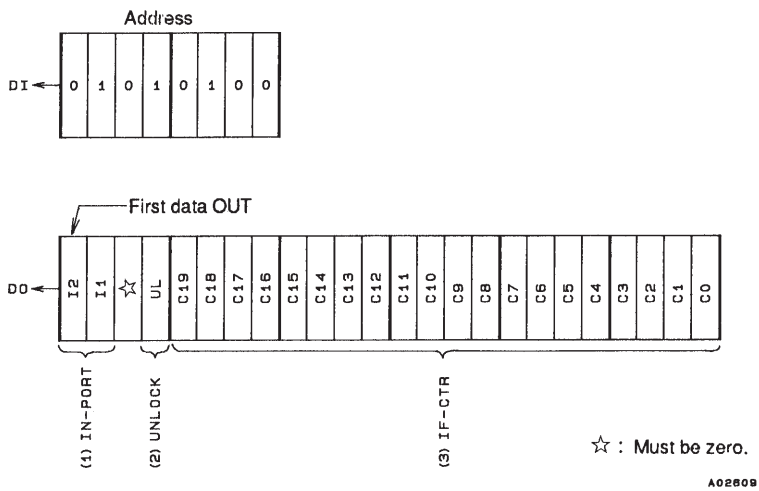
LC72131, 72131M

Continued from preceding page.

No.	Control block/data	Functions	Related data
(11)	IF counter control data IFS	<ul style="list-style-type: none"> This data must be set 1 in normal mode. Though if this value is set to zero, the system enters input sensitivity degradation mode, and the sensitivity is reduced to 10 to 30 mVrms. * See the "IF Counter Operation" item for details. 	
(12)	LSI test data TEST0 to TEST3	<ul style="list-style-type: none"> LSI test data TEST0 TEST1 TEST2 TEST3 } These values must all be set to 0. These test data are set to 0 automatically after the power-on reset. 	
(13)	DNC	Don't care. This data must be set to 0.	

3. DO Output Data (Serial Data Output)

- OUT Mode



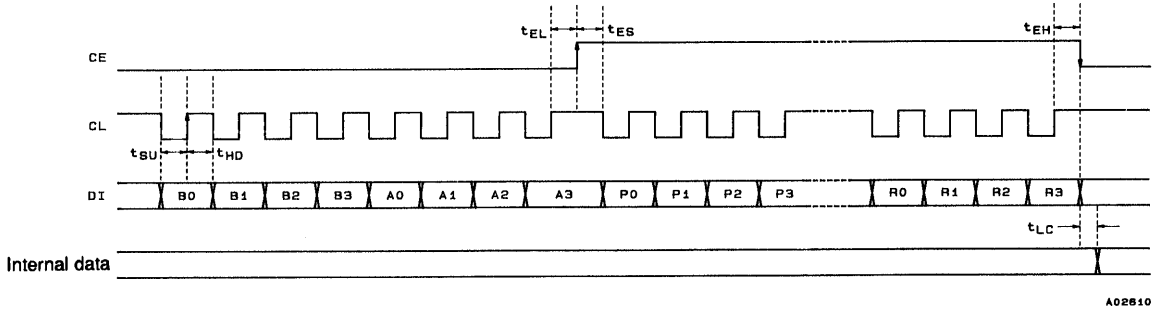
No.	Control block/data	Functions	Related data
(1)	I/O port data I2, I1	<ul style="list-style-type: none"> Latched from the pin states of the IO1 and IO2 I/O ports. These values follow the pin states regardless of the input or output setting. Bits I2, I1 reflect the data latched into each input port when the device changes to OUT Mode. I1 ← $\overline{IO1}$ pin state } High: 1 I2 ← IO2 pin state } Low: 0 	IOC1, IOC2
(2)	PLL unlock data UL	<ul style="list-style-type: none"> Latched from the state of the unlock detection circuit. UL ← 0: Unlocked UL ← 1: Locked or detection stopped mode 	UL0, UL1
(3)	IF counter binary data C19 to C0	<ul style="list-style-type: none"> Latched from the value of the IF counter (20-bit binary counter). C19 ← MSB of the binary counter C0 ← LSB of the binary counter 	CTE, GT0, GT1

4. DO Output Data

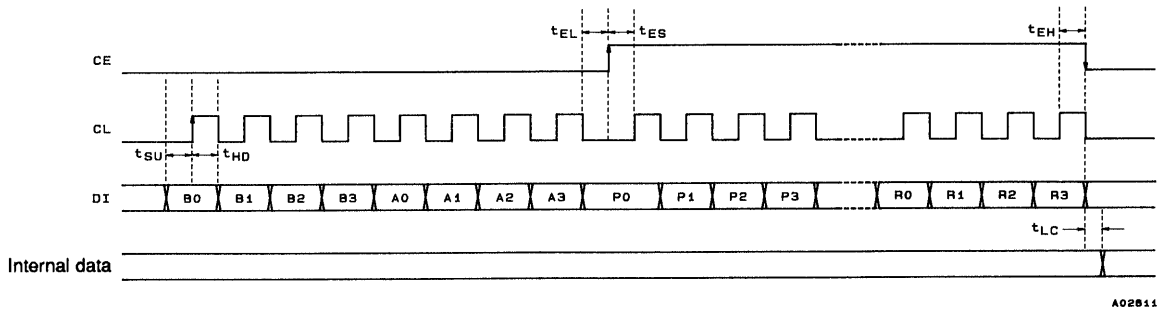
LC72131, 72131M

5. Serial Data Input (IN1/IN2) $t_{SU}, t_{HD}, t_{EL}, t_{ES}, t_{EH} \geq 0.75 \mu s, t_{LC} \leq 0.75 \mu s$

① CL: Normal high

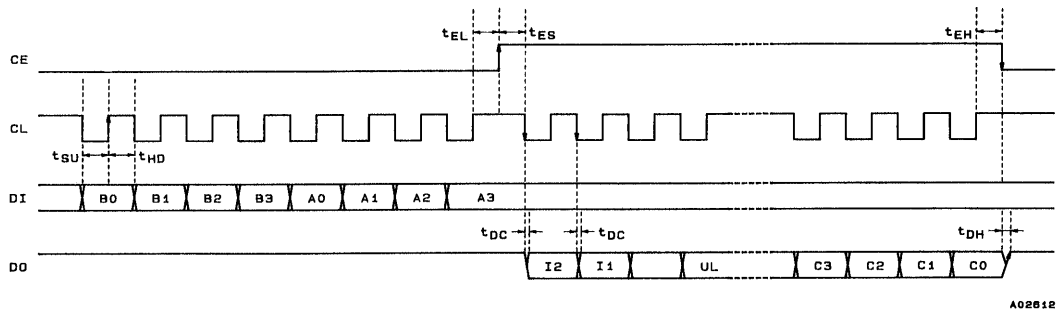


② CL: Normal low

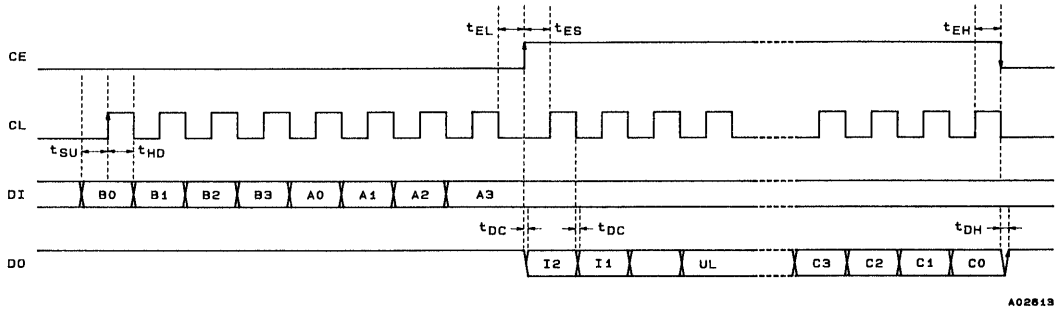


6. Serial Data Output (OUT) $t_{SU}, t_{HD}, t_{EL}, t_{ES}, t_{EH} \geq 0.75 \mu s, t_{DC}, t_{DH} \leq 0.35 \mu s$

① CL: Normal high



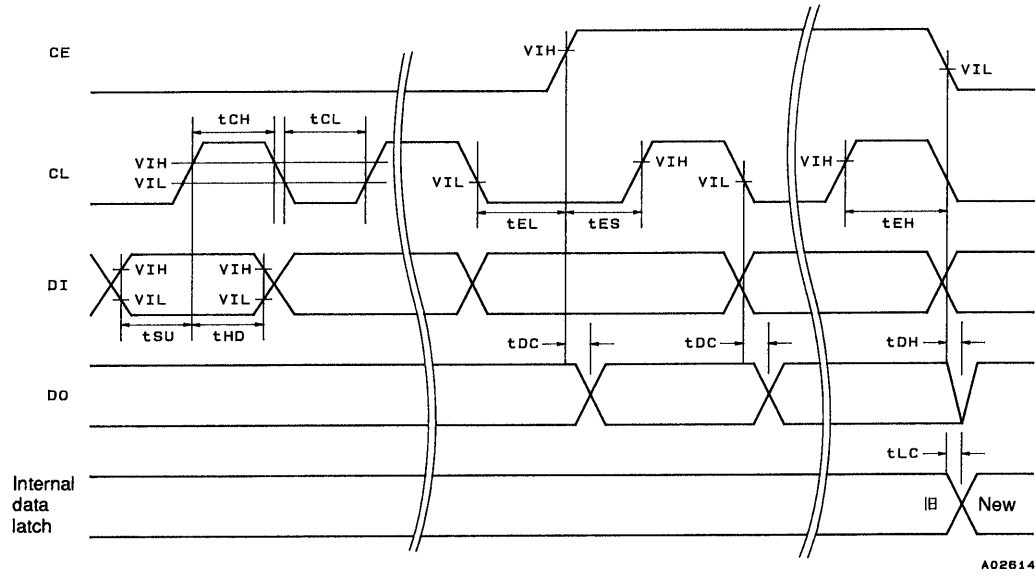
② CL: Normal low



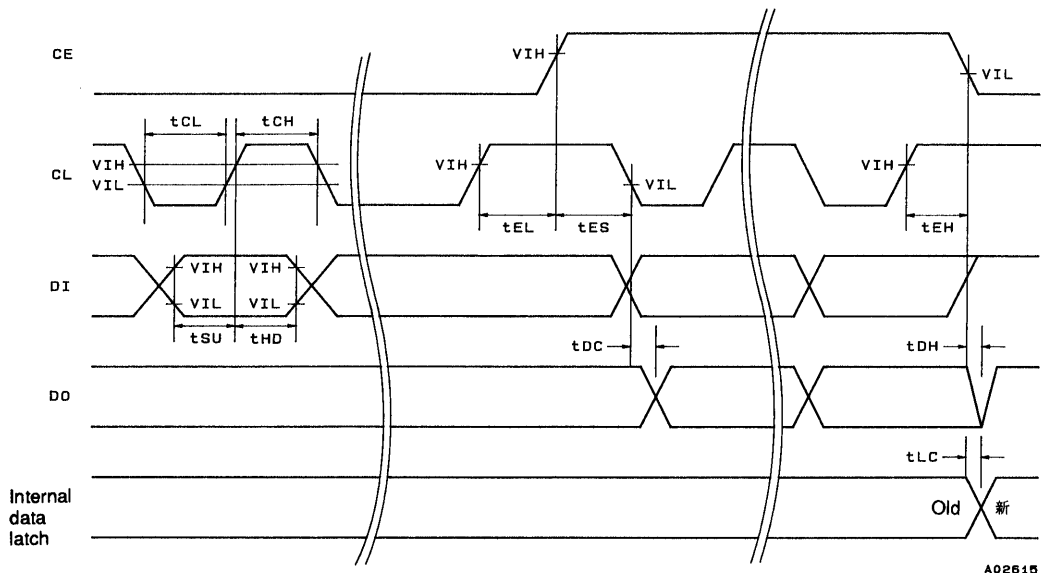
Note: Since the DO pin is an n-channel open-drain pin, the time for the data to change (t_{DC} and t_{DH}) will differ depending on the value of the pull-up resistor and printed circuit board capacitance.

LC72131, 72131M

7. Serial Data Timing



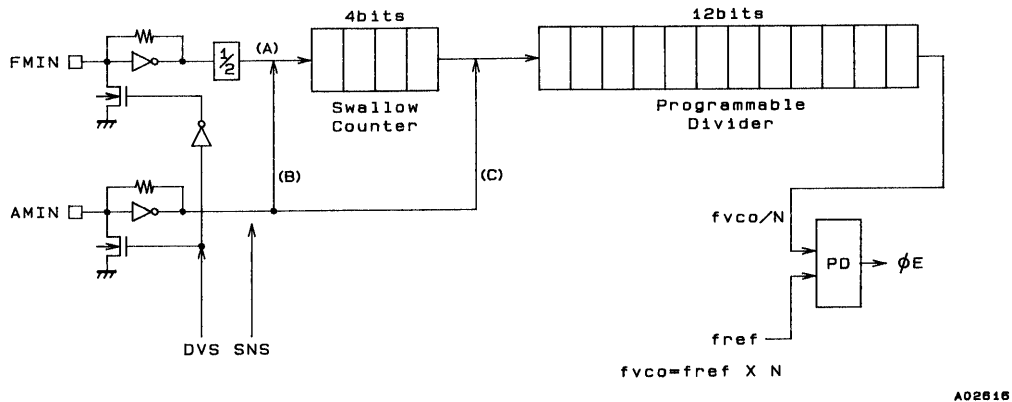
When stopped with CL low



When stopped with CL high

Parameter	Symbol	Pins	Conditions	min	typ	max	Unit
Data setup time	t_{SU}	DI, CL		0.75			μs
Data hold time	t_{HD}	DI, CL		0.75			μs
Clock low-level time	t_{CL}	CL		0.75			μs
Clock high-level time	t_{CH}	CL		0.75			μs
CE wait time	t_{EL}	CE, CL		0.75			μs
CE setup time	t_{ES}	CE, CL		0.75			μs
CE hold time	t_{EH}	CE, CL		0.75			μs
Data latch change time	t_{LC}					0.75	μs
Data output time	t_{DC}	DO, CL	Differs depending on the value of the pull-up resistor and the printed circuit board capacitances.			0.35	μs
	t_{DH}	DO, CE					

Programmable Divider Structure

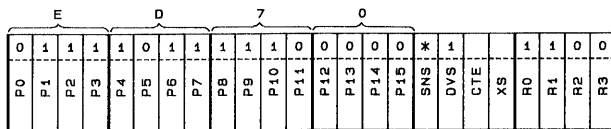


	DVS	SNS	Input pin	Set divisor	Actual divisor: N	Input frequency range (MHz)
A	1	*	FMIN	272 to 65535	Twice the set value	10 to 160
B	0	1	AMIN	272 to 65535	The set value	2 to 40
C	0	0	AMIN	4 to 4095	The set value	0.5 to 10

Note: * Don't care.

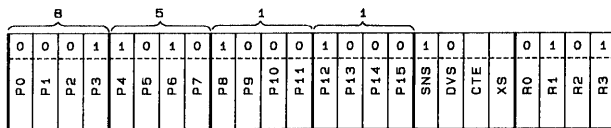
1. Programmable Divider Calculation Examples

- FM, 50 kHz steps (DVS = 1, SNS = *, FMIN selected)
 FM RF = 90.0 MHz (IF = +10.7 MHz)
 FM VCO = 100.7 MHz
 PLL fref = 25 kHz (R0 to R1 = 1, R2 to R3 = 0)
 $100.7 \text{ MHz (FM VCO)} \div 25 \text{ kHz (fref)} \div 2 \text{ (FMIN: divide-by-two prescaler)} = 2014 \rightarrow 07DE \text{ (HEX)}$



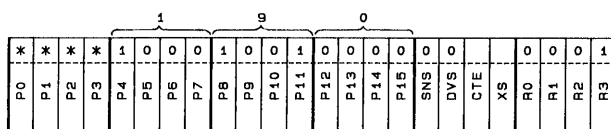
A02B17

- SW, 5 kHz steps (DVS = 0, SNS = 1, AMIN high-speed side selected)
 SW RF = 21.75 MHz (IF = +450 kHz)
 SW VCO = 22.20 MHz
 PLL fref = 5 kHz (R0 = R2 = 0, R1 = R3 = 1)
 $22.2 \text{ MHz (SW VCO)} \div 5 \text{ kHz (fref)} = 4440 \rightarrow 1158 \text{ (HEX)}$



A02B18

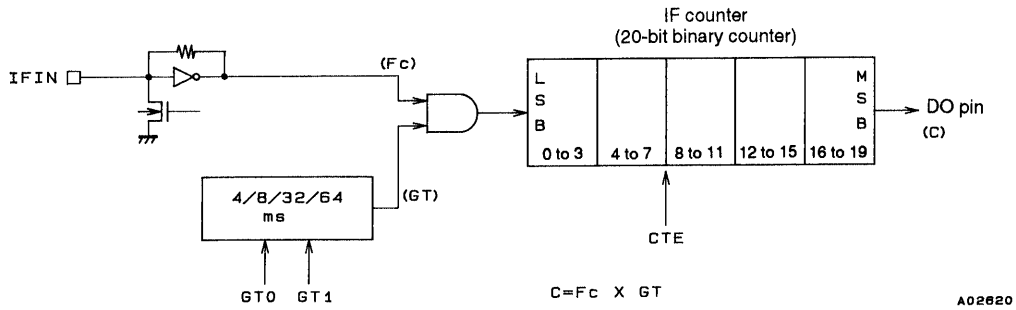
- MW, 10 kHz steps (DVS = 0, SNS = 0, AMIN low-speed side selected)
 MW RF = 1000 kHz (IF = +450 kHz)
 MW VCO = 1450 kHz
 PLL fref = 10 kHz (R0 to R2 = 0, R3 = 1)
 $1450 \text{ kHz (MW VCO)} \div 10 \text{ kHz (fref)} = 145 \rightarrow 091 \text{ (HEX)}$



A02B19

IF Counter Structure

The LC72131 IF counter is a 20-bit binary counter. The result, i.e., the counter's msb, can be read serially from the DO pin.



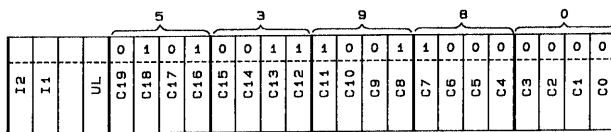
GT1	GT0	Measurement time	
		Measurement period (GT) (ms)	Wait time (twu) (ms)
0	0	4	3 to 4
0	1	8	3 to 4
1	0	32	7 to 8
1	1	64	7 to 8

The IF frequency (Fc) is measured by determining how many pulses were input to an IF counter in a specified measurement period, GT.

$$F_c = \frac{C}{GT} \quad (C = F_c \times GT) \quad C: \text{Count value (number of pulses)}$$

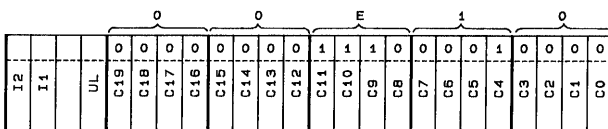
1. IF Counter Frequency Calculation Examples

- When the measurement period (GT) is 32 ms, the count (C) is 53980 hexadecimal (342400 decimal):
IF frequency (Fc) = 342400 ÷ 32 ms = 10.7 MHz



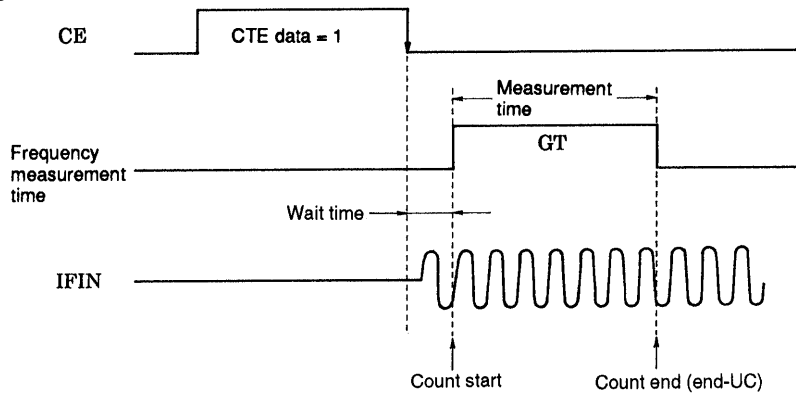
A02621

- When the measurement period (GT) is 8 ms, the count (C) is E10 hexadecimal (3600 decimal):
IF frequency (Fc) = 3600 ÷ 8 ms = 450 kHz



A02622

2. IF Counter Operation



Before starting the IF count, the IF counter must be reset in advance by setting CTE in the serial data to 0.

The IF count is started by changing the CTE bit in the serial data from 0 to 1. The serial data is latched by the LC72131 when the CE pin is dropped from high to low. The IF signal must be supplied to the IFIN pin in the period between the point the CE pin goes low and the end of the wait time at the latest. Next, the value of the IF counter at the end of the measurement period must be read out during the period that CTE is 1. This is because the IF counter is reset when CTE is set to 0.

Note: When operating the IF counter, the control microprocessor must first check the state of the IF-IC SD (station detect) signal and only after determining that the SD signal is present turn on IF buffer output and execute an IF count operation. Autosearch techniques that use only the IF counter are not recommended, since it is possible for IF buffer leakage output to cause incorrect stops at points where there is no station.

IFIN minimum input sensitivity standard

IFS	f (MHz)		
	$0.4 \leq f < 0.5$	$0.5 \leq f < 8$	$8 \leq f \leq 12$
1: Normal mode	40 mVrms (0.1 to 3 mVrms)	40 mVrms	40 mVrms (1 to 10 mVrms)
0: Degradation mode	70 mVrms (10 to 15 mVrms)	70 mVrms	70 mVrms (30 to 40 mVrms)

Note: Values in parentheses are actual performance values presented as reference data.

Unlock Detection Timing

1. Unlock Detection Determination Timing

Unlocked state detection is performed in the reference frequency (f_{ref}) period (interval). Therefore, in principle, unlock determination requires a time longer than the period of the reference frequency. However, immediately after changing the divisor N (frequency) unlock detection must be performed after waiting at least two periods of the reference frequency.

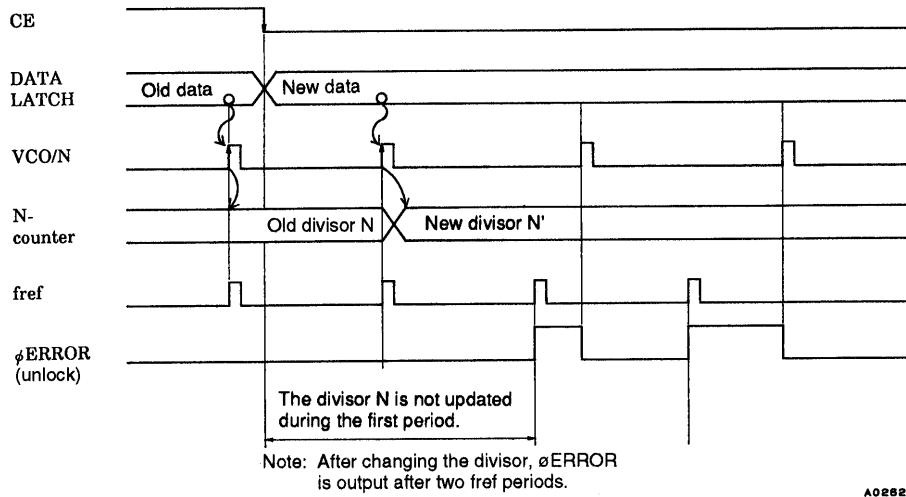


Figure 1 Unlocked State Detection Timing

For example, if f_{ref} is 1 kHz, i.e., the period is 1 ms, after changing the divisor N, the system must wait at least 2 ms before checking for the unlocked state.

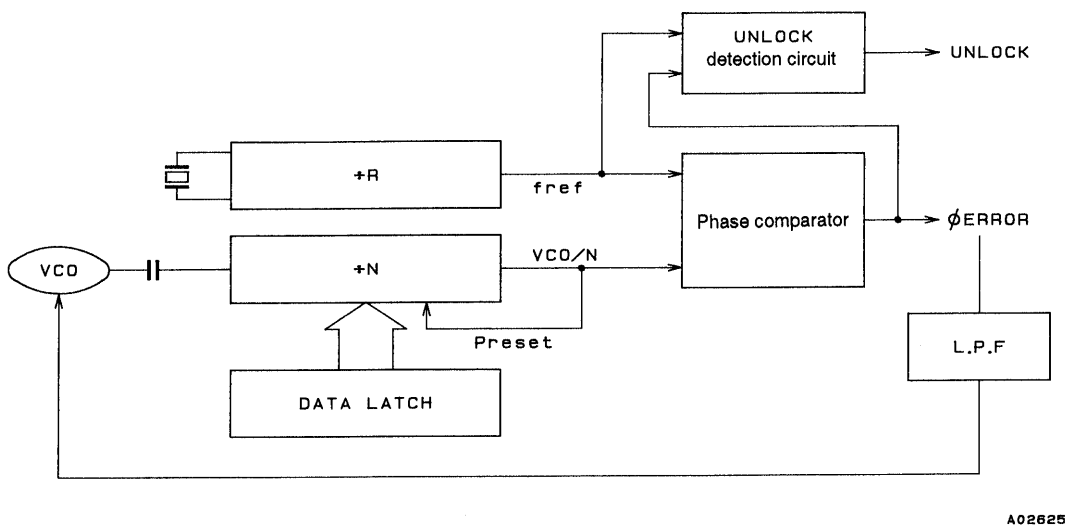


Figure 2 Circuit Structure

2. Unlock Detection Software

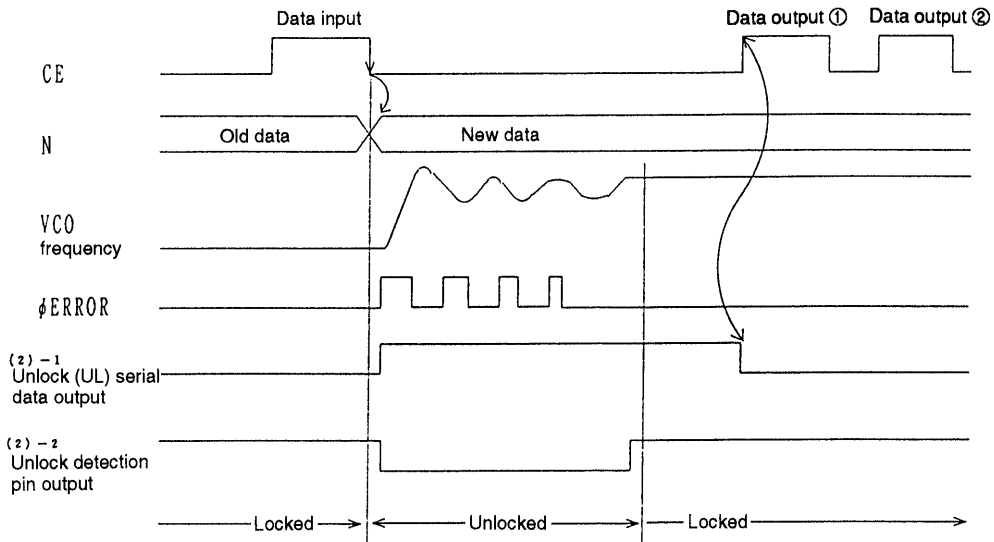
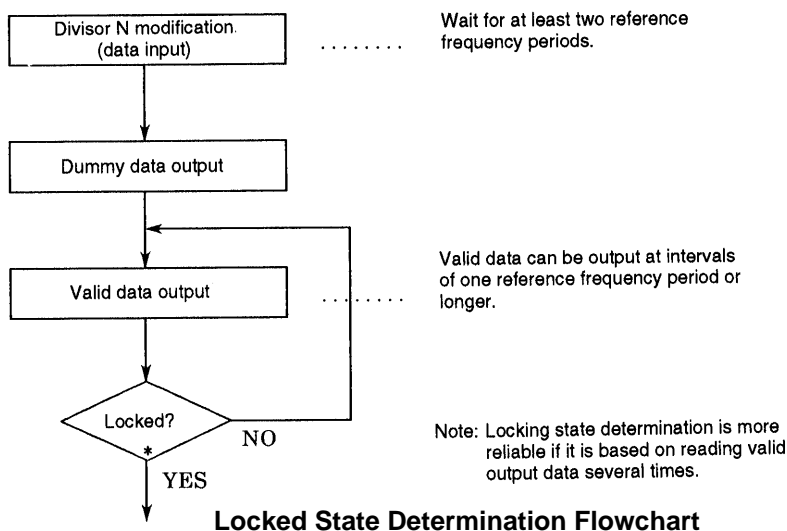


Figure 3

3. Unlocked State Data Output Using Serial Data Output

In the LC72131, once an unlocked state occurs, the unlocked state serial data (UL) will not be reset until a data input (or output) operation is performed. At the data output ① point in Figure 3, although the VCO frequency has stabilized (locked), since no data output has been performed since the divisor N was changed the unlocked state data remains in the unlocked state. As a result, even though the frequency has stabilized (locked), the system remains (from the standpoint of the data) in the unlocked state.

Therefore, the unlocked state data acquired at data output ①, which occurs immediately after the divisor N was changed, should be treated as a dummy data output and ignored. The second data output (data output ②) and following outputs are valid data.

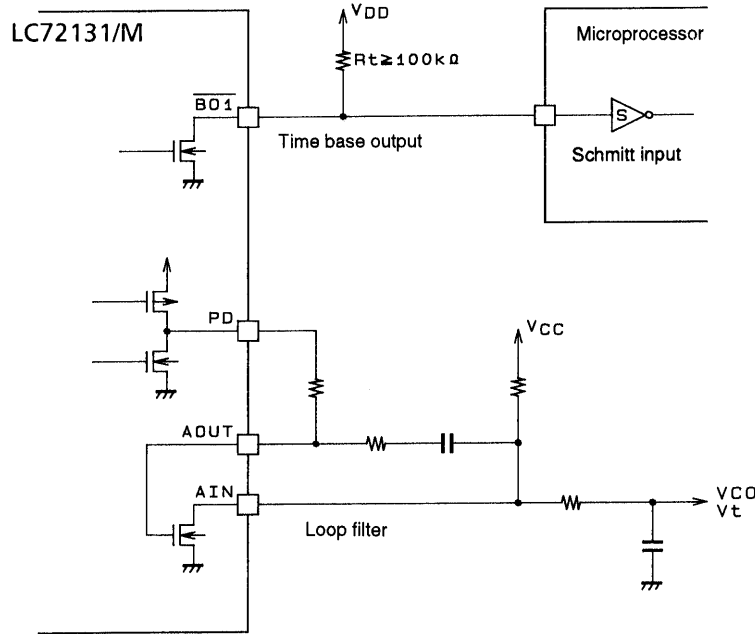


4. Directly Outputting Unlocked State Data from the DO Pin (Set by the DO pin control data)

Since the unlocked state (high = locked, low = unlocked) is output directly from the DO pin, the dummy data processing described in section 3 above is not required. After changing the divisor N, the locking state can be checked after waiting at least two reference frequency periods.

Clock Time Base Usage Notes

The pull-up resistor used on the clock time base output pin ($\overline{BO1}$) should be at least 100 k Ω . This is to prevent degrading the VCO C/N characteristics when a loop filter is formed using the built-in low-pass filter transistor. Since the clock time base output pin and the low-pass filter have a common ground internal to the IC, it is necessary to minimize the time base output pin current fluctuations and to suppress their influence on the low-pass filter. Also, to prevent chattering we recommend using a Schmitt input at the controller (microprocessor) that receives this signal.



A02627

Other Items

DZ1	DZ0	Dead zone mode	Charge pump	Dead zone
0	0	DZA	ON/ON	- -0 s
0	1	DZB	ON/ON	-0 s
1	0	DZC	OFF/OFF	+0 s
1	1	DZD	OFF/OFF	+ +0 s

1. Notes on the Phase Comparator Dead Zone

Since correction pulses are output from the charge pump even if the PLL is locked when the charge pump is in the ON/ON state, the loop can easily become unstable. This point requires special care when designing application circuits.

The following problems may occur in the ON/ON state.

- Side band generation due to reference frequency leakage
- Side band generation due to both the correction pulse envelope and low frequency leakage

Schemes in which a dead zone is present (OFF/OFF) have good loop stability, but have the problem that acquiring a high C/N ratio can be difficult. On the other hand, although it is easy to acquire a high C/N ratio with schemes in which there is no dead zone, it is difficult to achieve high loop stability. Therefore, it can be effective to select DZA or DZB, which have no dead zone, in applications which require an FM S/N ratio in excess of 90 to 100 dB, or in which an increased AM stereo pilot margin is desired. On the other hand, we recommend selecting DZC or DZD, which provide a dead zone, for applications which do not require such a high FM signal-to-noise ratio and in which either AM stereo is not used or an adequate AM stereo pilot margin can be achieved.

Dead Zone

The phase comparator compares f_p to a reference frequency (f_r) as shown in Figure 4. Although the characteristics of this circuit (see Figure 5) are such that the output voltage is proportional to the phase difference ϕ (line A), a region (the dead zone) in which it is not possible to compare small phase differences occurs in actual ICs due to internal circuit delays and other factors (line B). A dead zone as small as possible is desirable for products that must provide a high S/N ratio.

However, since a larger dead zone makes this circuit easier to use, a larger dead zone is appropriate for popularly-priced products. This is because it is possible for RF signals to leak from the mixer to the VCO and modulate the VCO in popularly-priced products in the presence of strong RF inputs. When the dead zone is narrow, the circuit outputs correction pulses and this output can further modulate the VCO and generate beat frequencies with the RF signal.

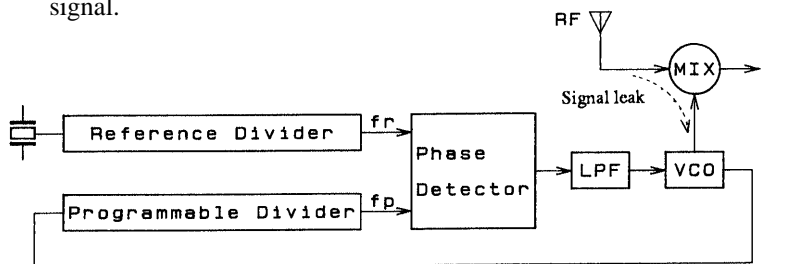


Figure 4

A02930

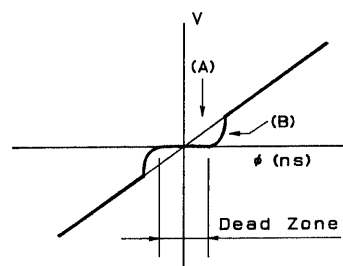


Figure 5

A02931

2. Notes on the FMIN, AMIN, and IFIN Pins

Coupling capacitors must be placed as close as possible to their respective pin. A capacitance of about 100 pF is desirable. In particular, if a capacitance of 1000 pF or over is used for the IF pin, the time to reach the bias level will increase and incorrect counting may occur due to the relationship with the wait time.

3. Notes on IF Counting → SD must be used in conjunction with the IF counting time

When using IF counting, always implement IF counting by having the microprocessor determine the presence of the IF-IC SD (station detect) signal and turn on the IF counter buffer only if the SD signal is present. Schemes in which auto-searches are performed with only IF counting are not recommended, since they can stop at points where there is no signal due to leakage output from the IF counter buffer.

4. DO Pin Usage Techniques

In addition to data output mode times, the DO pin can also be used to check for IF counter count completion and for unlock detection output. Also, an input pin state can be output unchanged through the DO pin and input to the controller.

5. Power Supply Pins

A capacitor of at least 2000 pF must be inserted between the power supply V_{DD} and V_{SS} pins for noise exclusion. This capacitor must be placed as close as possible to the V_{DD} and V_{SS} pins.

- No products described or contained herein are intended for use in surgical implants, life-support systems, aerospace equipment, nuclear power control systems, vehicles, disaster/crime-prevention equipment and the like, the failure of which may directly or indirectly cause injury, death or property loss.
- Anyone purchasing any products described or contained herein for an above-mentioned use shall:
 - ① Accept full responsibility and indemnify and defend SANYO ELECTRIC CO., LTD., its affiliates, subsidiaries and distributors and all their officers and employees, jointly and severally, against any and all claims and litigation and all damages, cost and expenses associated with such use:
 - ② Not impose any responsibility for any fault or negligence which may be cited in any such claim or litigation on SANYO ELECTRIC CO., LTD., its affiliates, subsidiaries and distributors or any of their officers and employees jointly or severally.
- Information (including circuit diagrams and circuit parameters) herein is for example only; it is not guaranteed for volume production. SANYO believes information herein is accurate and reliable, but no guarantees are made or implied regarding its use or any infringements of intellectual property rights or other rights of third parties.

This catalog provides information as of June, 1996. Specifications and information herein are subject to change without notice.